

Style 100BX

Style 400BX



Table of contents	3
Safety notice	4
Technical data	5
Before you start	6
Control panel	7
Mains inlet and fuses	8
Modelling lamp selector	9
Power selector	9
Photo-cell	10
Open flash button	10
Synchronization	10
Acoustic signal	10
Troubleshooting	11
Flashtube replacement	12-13
Accessories and other products "overview"	14
DVD/VIDEO training with Elinchrom lighting	15

P.S: Technical data subject to change.

The listed values are guide values which may vary due to tolerances in components used.

The Elinchrom *Style BX* is manufactured by Elinca S.A. CH - 1020 Renens/Switzerland

Dear Photographer,

Thank you for buying your *Style BX* compact flash unit.

All Elinchrom products are manufactured using the most advanced technology. Carefully selected components are used to ensure the highest quality and the equipment is submitted to many controls both during and after manufacture.

We trust that it will give you many years of reliable service.

All *Style BX* flash units are manufactured for the studio and location use of professional photographers.

Only by observance of the information given, can you secure your warranty, prevent possible damage and increase the life of this equipment.

SAFETY NOTICE

According to safety regulations, we draw your attention to the fact that these electronic flash units are not designed for use outdoors, in damp or dusty conditions and should not be used after being exposed to sudden temperature changes causing condensation. They must always be connected to an earthed (grounded) mains supply.

On no account should any object be inserted into the ventilation holes.

The units may retain an internal charge for a considerable time even though disconnected from the power supply.



**FLASH SYSTEMS STORE ELECTRICAL ENERGY IN CAPACITORS BY APPLYING HIGH VOLTAGE.
FOR YOUR SAFETY, NEVER OPEN OR DISASSEMBLE YOUR FLASHES.
ONLY AN AUTHORISED SERVICE ENGINEER SHOULD OPEN OR ATTEMPT TO REPAIR THE UNITS.
FOR REPAIRS, TAKE THEM TO YOUR ELINCHROM AGENT.**

Specifications:

Units *Style 100BX - 400BX*

The quality of light and exceptional performance is the result of long research, application of demanding principles, the long experience of ELINCHROM in lighting products for the studio and the utilization of the latest technology in this area.

Totally integrated to the range of the ELINCHROM flashes, the *Style 100BX - 400BX* units maintain the traditional look and function that is ELINCHROM.

The control provides continuously variable adjustment of the modelling lamp and the flash power with precision over 5 f-stop, from full power 1/1 to 1/16 th.

Controls for the user:

- Mains switch
- Controls for: **modelling** on/off, **cell** on/off, **acoustic signal** on/off.
- Flash and modelling power control.
- «X» synchro jack socket 3,5 mm.
- Socket for Plug-In remote control.
- Mains inlet socket and two fuses (Mains and modelling).

Mechanical Features:

- Locking bayonet ring for accessory and reflector fitting
- Tilt-head whit 5/8" - inch stand socket
- Thermal safety
- User replaceable flashtube UV coated (5650°K)
- Halogen modelling lamp 150W, with E27 fitting, or optional alternative *200W/GX6.35 with adaptor code 23101.
- Silent fan cooling
- Auto dumping function. Automatic discharge of flash power
- Central umbrella tube plus external fitting
- Acoustic recharging signal

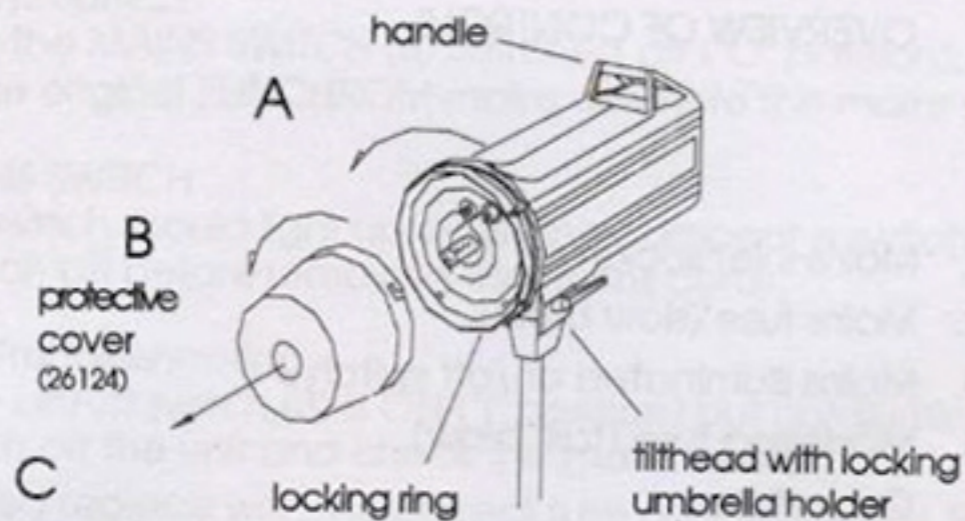
- Mains cable
- Synchro cord of 5m (jack 3.5mm plug)
- Protective cover
- Total compatibility with all Elinchrom accessories

Electronic Features:

- Very fast recycling time
- Very short flash duration

Données Techniques		100 BX	400 BX
Flash power	J (Ws)	100	400
Power supply	V	90/260	90/260
F-stop, 1m, 100 ISO,			
With reflector 48°		32,5	64,5
Control range	J (Ws)	6 - 100	25 - 400
(5 f-stop) 1/1 à 1/16			
Recycling time (230 V)	s	0,2 - 0,5	0,3 - 1,1
Flash duration (t 0,5) 1/1	s	1/1700	1/850
(t 0,5) 1/16	s	1/1150	1/450
Modelling output	W	150	150
Voltage across sync cable	V	5	5
Connected load A/VA (W)		8/2080	8/2080
Radio interference suppression, CEM CE - IEC 491			
Dimensions length. x diam.	cm	21x14	21x14
Weight	kg	1,55	1,9
Tolerances and specifications conforming to IEC and CE standards			
Technical data subject to change without notice			

* Optional alternative 200W/GX6.35



All *Style BX* units have a bayonet mount and locking ring reflector fitting, for fixing all Elinchrom and Prolinca accessories.

Before your start !

The units *Style BX* (Multivoltage) are adapted for operation on 90 - 260V/50 - 60Hz.

Before connecting for the first time, check to make sure that your Modelling lamp coincides with the voltage line.

They must always be connected to an earthed (grounded) mains supply.

Mount the unit securely to a suitable stand or support. Remove the black protective cover (note: first turn the locking ring A as shown, then rotate the black cap cover B in the same direction). Fitting a reflector or accessory is the reverse of this action.

DO NOT operate the unit without first removing the black protective cover.

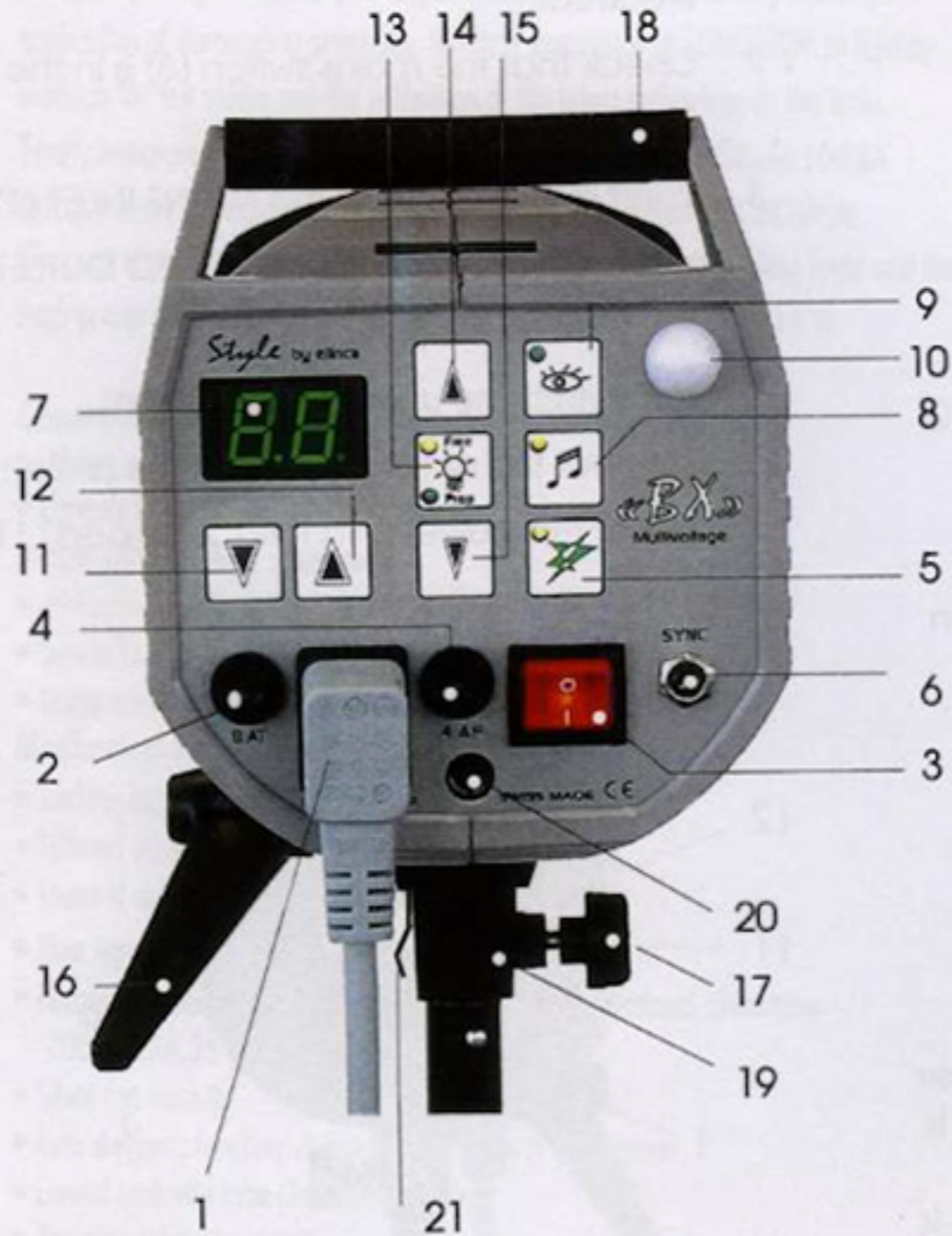
Operating instructions

1. Check that the modelling lamp voltage is correct.
2. Check that the mains switch (3) is in the OFF ("O" position).
3. Insert mains cable to the MAINS INLET (1) and connect to a FULLY EARTHED OUTLET
4. Using the mains SWITCH (3) and switch the unit ON ("I" position).
5. Connect the synchro cord on the socket (6).
6. Select the power with the touch pad (11 - 12)



CONTROL PANEL

(back view)



OVERVIEW OF CONTROLS

1. Mains inlet socket
2. Mains fuse (slow blow)
3. Mains illuminated on/off switch
4. Modelling fuse (fast blow)
5. Open-flash
6. Synchro-sockets, Amphenol + jack 3.5 mm
7. Digital power display and charge/discharge indicator
8. Acoustic recharging signal (Beep)
9. Slave cell switch on/off
10. Photocell receptor
11. - Power adjustment in 1/10 f-stops, with ADF
12. + Power adjustment in 1/10 f-stops
13. Modelling lamp switch (on/off free or prop)
14. + Modelling power control
15. - Modelling power control
16. Tilt head clamp
17. Knurled clamp screw
18. Handle
19. Stand 5/8-inch socket
20. Umbrella tube (only for EL umbrellas, diameter 7 mm)
21. Supplementary locking for others umbrellas

MAINS SUPPLY

With the MAINS SWITCH (3) switched off ("O" position), firmly push in the plug of the original ELINCHROM mains cord into the mains socket (1).

MAINS SWITCH

The switch should light up when the compact is switched on ("I" position). (Switch off before removing the mains cord).

N.B. Troubleshooting

If the on/off switch (3) is ON ("I" position) but not illuminated, switch off the unit and check the mains fuse (2).

If failed replace with the correct fuse and switch ON the unit.

This unit is protected by a thermal circuit breaker to avoid overheating. Should this occur, the unit turns off automatically and cannot be fired. After a break for cooling, the flash will be ready again for operation.

See page 11: Troubleshooting

This equipment is not user serviceable and contains high voltages which are dangerous. In the event of failure, please return the unit to an authorized Elinchrom service station.

MAINS FUSE

Standard type 5 x 20 mm, (use only tempered fuse)

8 AT (code 19022) for *Style 100BX* and *Style 400BX*

Note: Before exchanging a blown fuse, switch off the unit and remove mains cable. Depress and turn the fuse holder anti-clockwise 1/8th, turn and remove it. If the new fuse blows immediately upon reconnection, return the unit to an ELINCHROM service centre for a check-up.

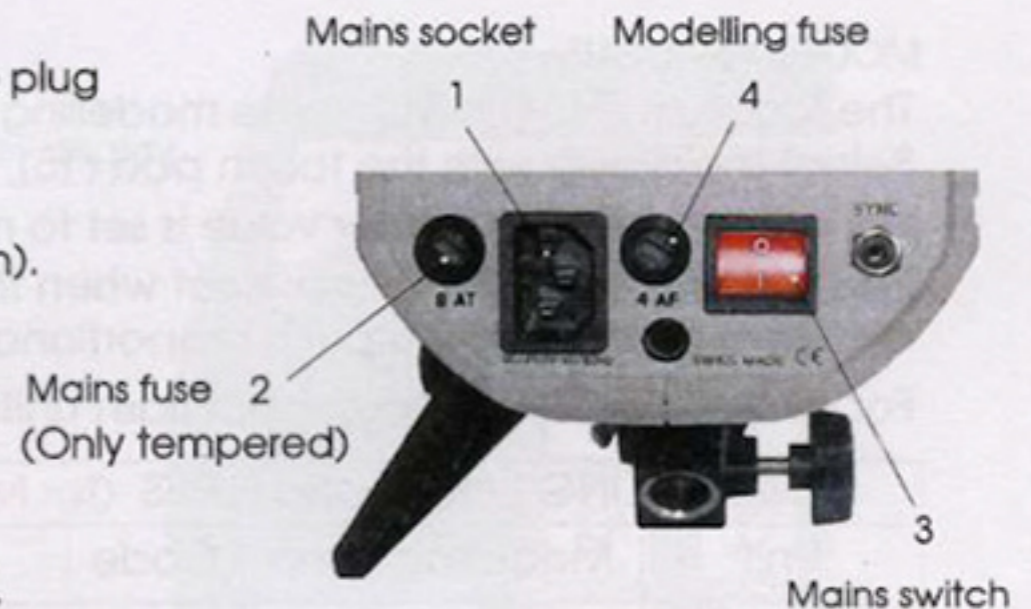
(N.B. Please don't forget to check the correct rating of the fuse !).

FUSE FOR MODELLING LAMP

Fast type 5 x 20mm, 4 AF

Switch off the unit and replace the blown fuse with a new one of the correct rating.

The fastblow fuse will protect the triac of the modelling lamp circuit, the lamp and therefore the flash tube.



MODELLING LIGHT

The touch pad (14) controls the modelling lamp on/off and the proportional light. Select the power with the touch pad (15). The modelling light output (100%) is achieved when the power value is set to maximum.

Proportional modelling lamp, is set when the position "PROP" is selected (led is illuminated), the light output is proportional to the selected flash power.

For all types of *Style BX* compact flash units use only **250 W MAX.** lamps

MODELLING LAMPS and FUSES (for Mains voltage 90/140V)					
Unit	Modelling lamp	Code	Socket	Fuse	Code
<i>Style 100 BX</i>	150W halostar	23019	E27	4 AF	19035
<i>Style 400 BX</i>	150W halostar	23019	E27	4 AF	19035
Option :	150W halogen	23031	GX 6,35	4 AF	19035
Option :	200W halogen	23033	GX 6,35	4 AF	19035

Note: lamp socket adapter E27 to GX 6.35, code 23101
This adaptator allows the use of the halogen lamp 200W, GX 6.35 (code 23031 or 23034 for Mains 230V) in the *Style 100 BX* and *400 BX* units.

MODELLING LIGHT FOR MAINS VOLTAGE 200/260V

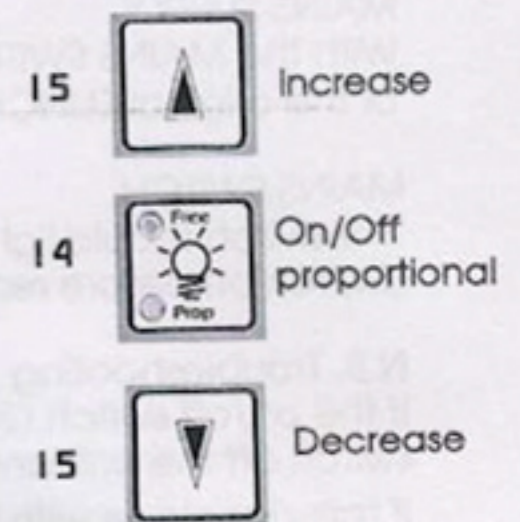
Use 150W/240V halostar, code 23035 or 200W/240V halogen GX 6.35, code 23034

Note:

If the modelling lamp does not illuminate, this may be due to the following:

1. The filament is broken after long use *(replace lamp and fuse)
2. The filament is broken after shock *(replace lamp and fuse)
3. An internal component failure, *(return the unit to customer service)

* Action required:



23033



23101



23019

DIGITAL POWER DISPLAY

The actual flash power is shown in an f-stop compatible format. The power range is 5 f-stops. The digital display, provides continuous power indication of the flash and modelling lamp. The controls cover a continuous output range from full power 1/1 to 1/16th in 1/10th, f-stop intervals. During charging or discharging, the display "flashes". In case of overheating.

Note:

This "Style 100BX and 400BX" units have an integrated discharge system, protected by a thermic switch.

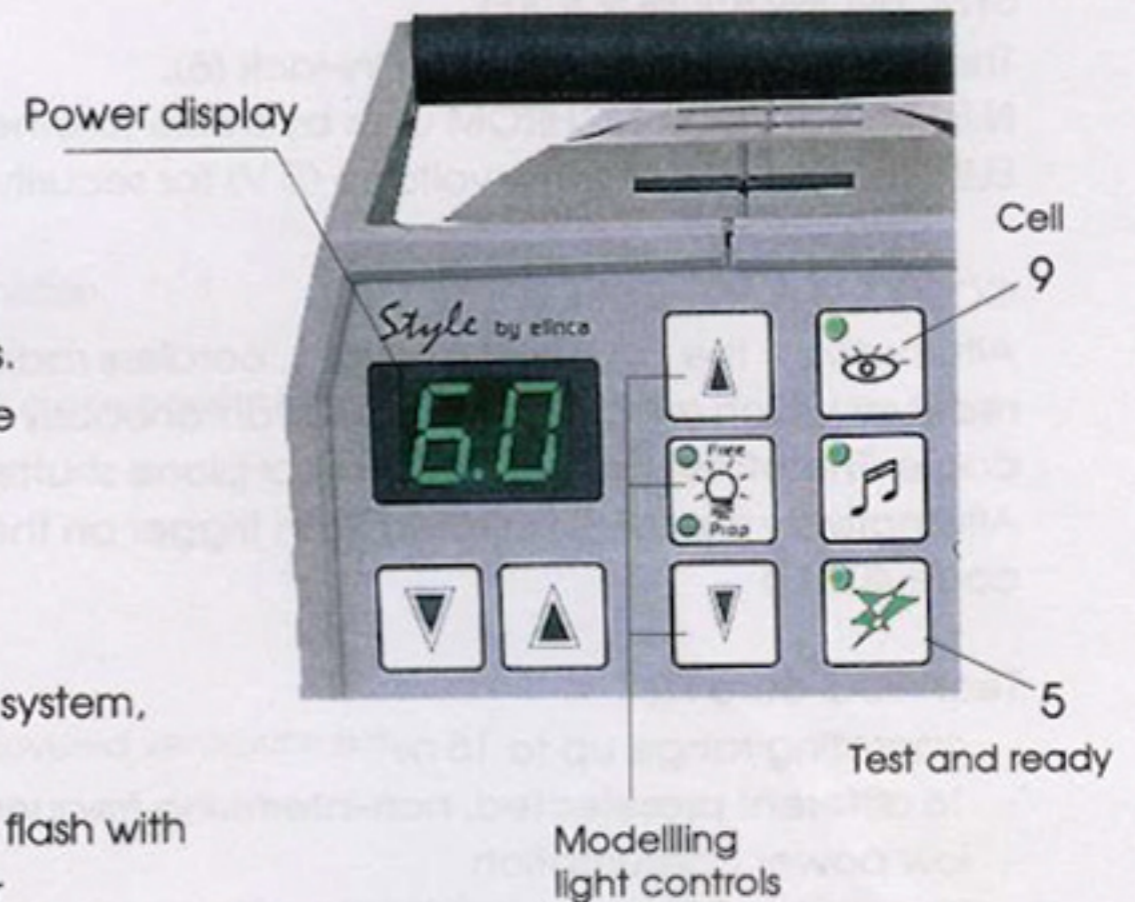
In order to restrict the heating of the unit, we suggest you fire the flash with the green "TEST" touch pad (5) after each big reduction of power (more than 2 f-stop).

This allows the release of the excess energy in the flash tube. This gains time and extends the life span of your compact units.

PHOTOCELL

The photocell is activated when the green LED (on the touch pad 9) is illuminated. When switched ON, the unit can be remotely triggered by another flash unit !

The *Style BX* photocell is specially designed to work under ambient light conditions in your studio. Direct light or other strong light sources may reduce the sensitivity of the cell. In difficult situations e.g. blinding, sunlight or obstacles, the additional cell with 5 m cord (extensions available) solves most problems.



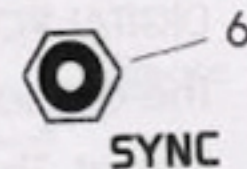
Potocell
receptor

10

SYNCHRONIZATION SOCKET

The standard socket 3.5 mm mini-jack (6).

N.B. Do not link ELINCHROM units by cable to other manufacturers sync outlets.
ELINCHROM uses the low voltage (5 V) for security reasons.



CORDLESS FLASH CONTROL

Alternatively the ELINCHROM FRC-1, cordless radio trigger may be used with the FRC-1 receiver which releases the flash instantaneously - faster but slightly slower than by sync cable. Therefore, use 1/60th for focal plane shutters and 1/125th for in lens shutters. Alternatively mount an infrared flash trigger on the camera (e.g. Prolinca IR transmitter: code 40203)



FRC1 SET

code:19305

Technical data FRC-1:

- operating range up to 15 m
- 16 different preselected, non-interfering frequencies
- low power consumption
- transmitter, 9 V battery power supply (code: 19306)
- receiver, mains 230V/50-60HZ power supply (code: 19307)

OPEN FLASH "TEST"

Having pressed the touch pad to release a flash, the green «READY» light will appear again once the unit is recharged. If the green light does not appear the charge system could be defective. Please contact and send to an authorized Elinchrom service.

Test and Ready

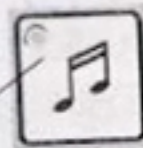


5

AUDIBLE RECHARGE SIGNAL

Select the function with the touch pad (8), the green indicator appears. Once recycled an acoustic signal indicates that the compact unit is ready.

Beep



8

TROUBLESHOOTING

IF THE UNIT DOES NOT FUNCTION:

1. The mains switch (3) is ON ("I" position), but not illuminated.
Switch off the unit and change the mains fuse (2).
Use only time-lag fuse, corresponding to the *Style BX* model.
The switch (3) is lit, the open flash ready is illuminated but does not function.
The flash tube may be faulty - see page 12.
2. If replacing the tube does not solve the problem, the cause could be a component failure:
please return the unit to an authorised Elinchrom service.
3. The ON/OFF switch (3) is lit but the open flash signal (6) is not lit.

In this case there is an internal problem.

Cause of this problem:

- Will probably be an electronic component failure
- Temporary break for overheating, caused by fast flash sequences or covered ventilation slots.
- Fan cooling defective

This unit is protected by a thermic device to avoid overheating.

Should this occur, the unit turns off automatically and cannot be fired any more, after a break for cooling, the flash is ready again for operation.

4. If after several minutes break for cooling, the ready signal (6) is not lit,
the cause could be a component failure.

However, high voltage may remain on the capacitor circuits.

DO NOT ATTEMPT TO REPAIR THE UNIT. In this case please send the unit to an authorised Elinchrom station.

**FOR YOUR SAFETY, NEVER OPEN YOUR COMPACT FLASH.
DO NOT ATTEMPT TO REPAIR THE UNIT YOURSELF.
PLEASE SEND THE UNIT TO YOUR ELINCHROM AGENT**

P.S: If you are abroad, please contact Elinca S.A. Switzerland.

Tel. + 41 21 637 26 77 - Fax + 41 21 637 26 81 - E-Mail: elinca@elinca.ch

and ask for address, phone, fax number and e-mail of the nearest Elinchrom agent.

FLASHTUBE REPLACEMENT

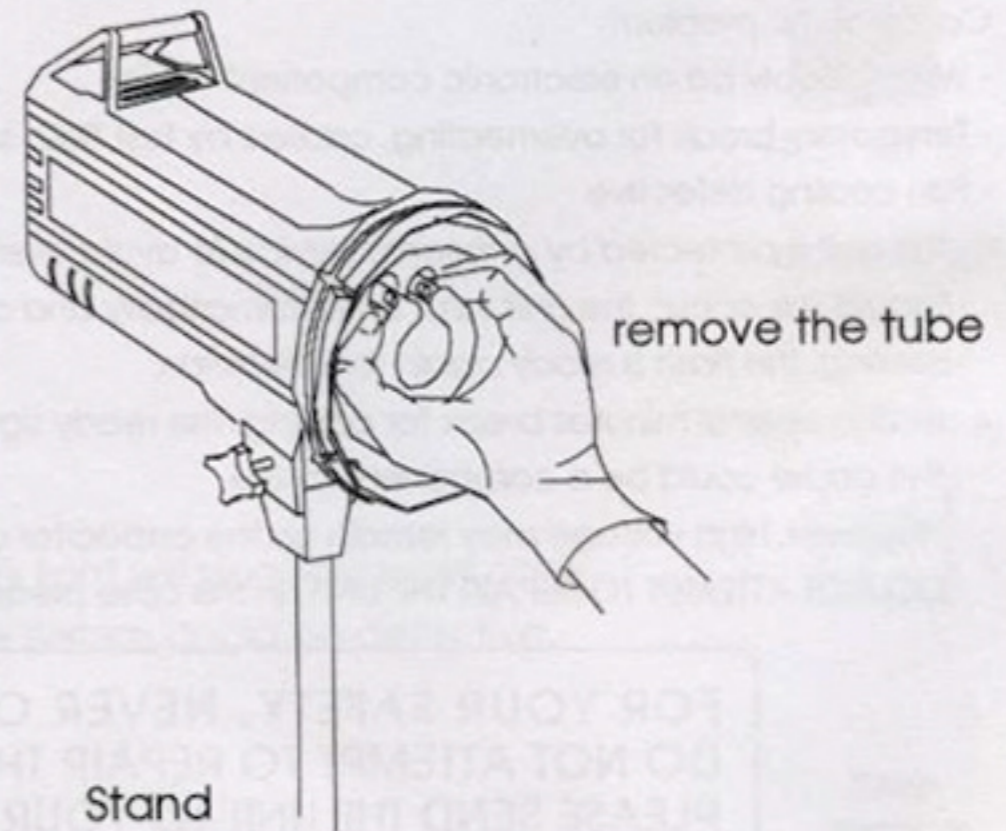
If the unit does not flash but the ON/OFF switch indicates that there is power, it could be that the flashtube needs replacing.

Note:

Flashtubes (Swiss quality) have a long life with average use, but multiflashing in long sequences can cause overheating of the electrodes leading to premature ageing, or perhaps the flashtube is broken or cracked.

To replace the flashtube:

1. Switch off the mains switch
2. Remove the mains cable
3. Take the unit from its stand or lay it horizontally on a rigid surface. It will need to be held firmly whilst removing and replacing the tube.
4. Allow the flashtube and modelling lamp to cool for several minutes. They may be very hot.
5. Carefully remove and store the modelling lamp.



6. Put on the protective glove delivered with your flashtube and remove:
A - first the security spring trigger
B - the flashtube, by firmly pulling it away from the unit.

If the tube is broken, avoid cutting yourself and the glove.

If the only part to grip is the electrode (e.g. a totally smashed tube), withdraw using insulated pliers or pincers.

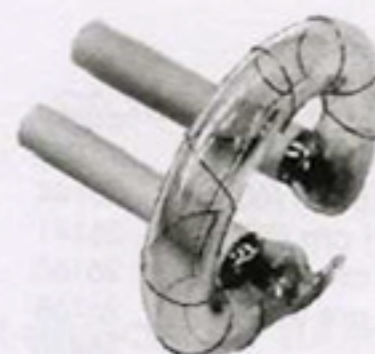
There is a full discharge security circuit fitted, but if the unit has had a heavy fall, internal damage disconnecting a circuit could possibly happen.

7. Take the new flashtube, code 24029 for *Style 100 BX - 400 BX*.

A glove or "plastic protection" **MUST BE USED** - contact with your fingers on the glass, will cause dark markings on the tube when it is used.

8. Check that the tube is correctly aligned (central) and that the trigger contact is gripping the tube, refix the security spring.

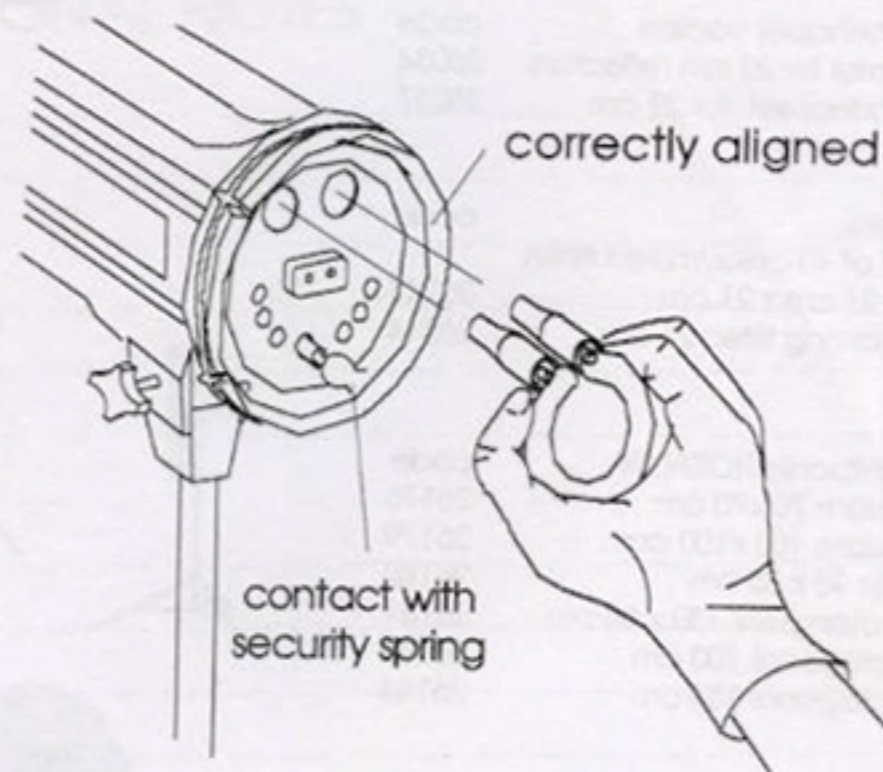
9. Re-connect and test the unit as usual.



Plug-in flashtube

(made in Switzerland)

(code 24029)



Accessories and other products of Elinchrom

Reflectors
 Wide angle ø 16 cm /90° 26143
 Compact ø 18 cm /60° 26144
 Standard ø 21 cm /50° 26141
 Mini soft ø 44 cm silver 26166
 Mini soft ø 44 cm white 26168
 Snoot 26425

Grid for snoot 26426

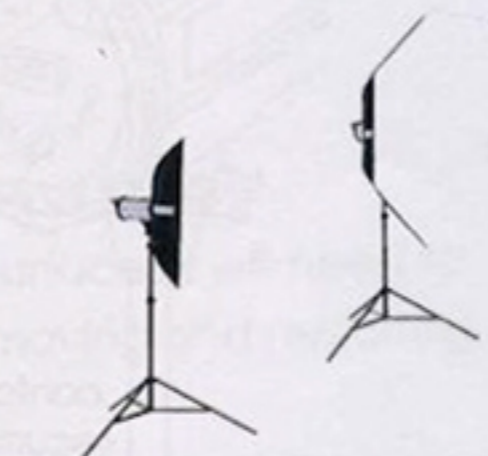
Grids
 Grid set for reflector 18 cm 26135
 Grid set for 21 cm 26025

Lightshaper carriers
 Carrier for 21 cm reflectors 26034
 Bandoor set for 21 cm 26037

Filters
 Set of 10 color/mixed filters for 21 cm x 21 cm 26243
 Polarizing filter 21 cm 26244

Lightbanks ROTALUX
 Square 70 x70 cm 26178
 Square 100 x100 cm 26179
 Strip 95 x 35 cm 26180
 Rectangular 130 x 50 cm 26181
 Octagonal 100 cm 26183
 Octagonal 135 cm 26184

Umbrellas
 White diam. 85 cm 26372
 Silver diam. 85 cm 26360
 Translucent diam. 85 cm 26371



Spots
 Zoom Spot 18° - 36° code 26481

Mini spot 26420

Stands
 Stand Pro 85-235 cm code 30101
 Stand Pro-S 88-250 cm 30128

Bags
 Carrying bag for 2 mono compacts code 33197
 Carrying bag for 2 stands + 2 umbrellas 33220

Case
 Carrying case for 3 mono compacts code 33209

Power cables
 Cable for compacts ALL the countries (without male plug) code 11055
 Cable for compacts (USA) 11055USA

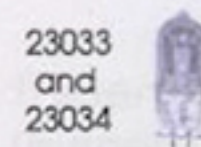
Trigger accessories and flashmeter
 IR flash remote code 40203
 Radio set FRC1 19305

Synchro cords code

Synchro cable 5 m length camera to flash units (jack 3.5 mm) code 11084

Modelling lamps (90/140V)
 Quartz Halogen, Socket E27-150 W code 23019
 Quartz Halogen, GX 6.35 -150 W 23031
 Quartz Halogen, GX 6.35 - 200 W 23033

Modelling lamps (190/260V)
 Krypton/photo, Socket E27-100W code 23002
 Quartz Halogen, Socket E27-150 W 23035
 Quartz Halogen, GX 6.35 - 200 W 23034



Training with Elinchrom lighting and the american lecturer/photographer Joe Craig

DVD - The complete Portrait "Video", running time 90 minutes order: 72403 DVD disk
The portrait video and lighting for perfect portrait, both video tapes on one DVD.
14 chapters ranging from portraits with two umbrellas, to multiple lighting
arrangements and last but not least, hints and tips on posing - it doesn't
matter how good your lighting is, finally it is the right pose (*correct attitude*) that reveals the subject.



PERSONAL NOTES

A large rectangular area with horizontal dashed lines for writing notes.



Visit our Web site: www.elinchrom.com